

Saetec - divisione **Essedomus**

Robbiate (Lecco) ITALY

www.essedomus.it

info@essedomus.it

MOUNTING INSTRUCTIONS

SET OF LARGE BRACKETS for fence cod. EB F02

To be used for Entry Box SPACE and TOWER only

Use this support when you want to fix the mailbox directly onto the rods of the fence or gate.

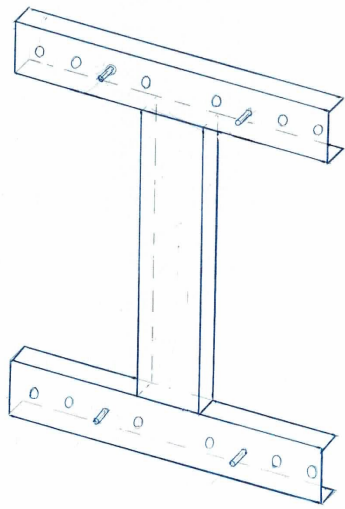
It consists of a pair of transepts to be tightened by means of suitable bolts onto the structure of the fence opposite one another: on the external side the mailbox is fixed by means of 4 nuts onto the 4 protruding bolts already preassembled

1. Place the BRACKET A (the one with 4 protruding screws where the mailbox will be fixed on) on the outer side of the railing, and the BRACKET B (the one with the large holes) on the inside, exactly opposite one another.
2. Screw the 2 brackets with the appropriate long bolts provided M6x100 by choosing the holes that do not interfere with the fence
3. Place the mailbox at the outer bracket A setting the 4 holes on the back on the 4 protruding screws from the bracket so that the mailbox remains hung on these screws
4. fix the mailbox with the 4 blind nuts supplied with the respective flat washers to be mounted inside on the 4 protruding screws

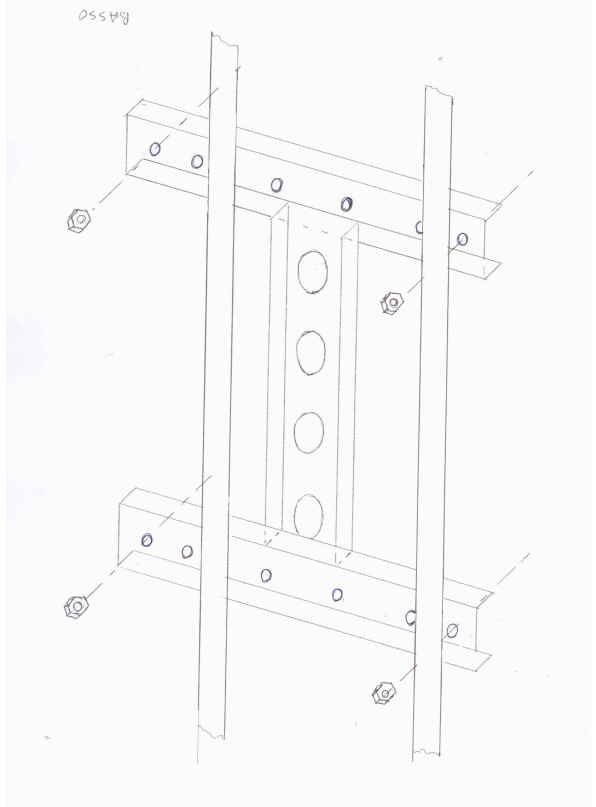
Now your mailbox is set and ready to use

For proper maintenance periodically clean the exterior and interior with mild detergents or water.

If over time the hardware of the doors tended to loosen simply retighten with a spanner and a screwdriver.



Bracket **A**
mailbox side



Bracket **B**

SET 16

ESSEDOMUS
MADE IN ITALY